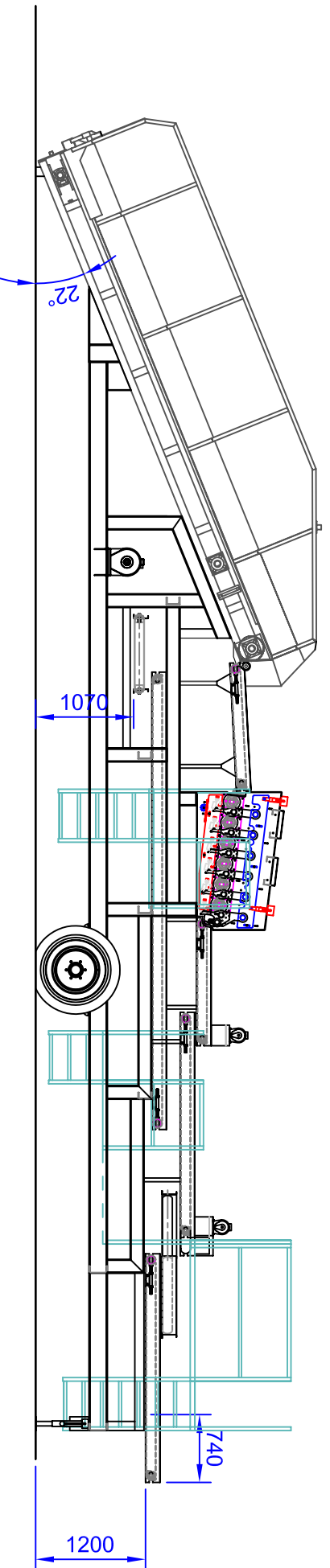
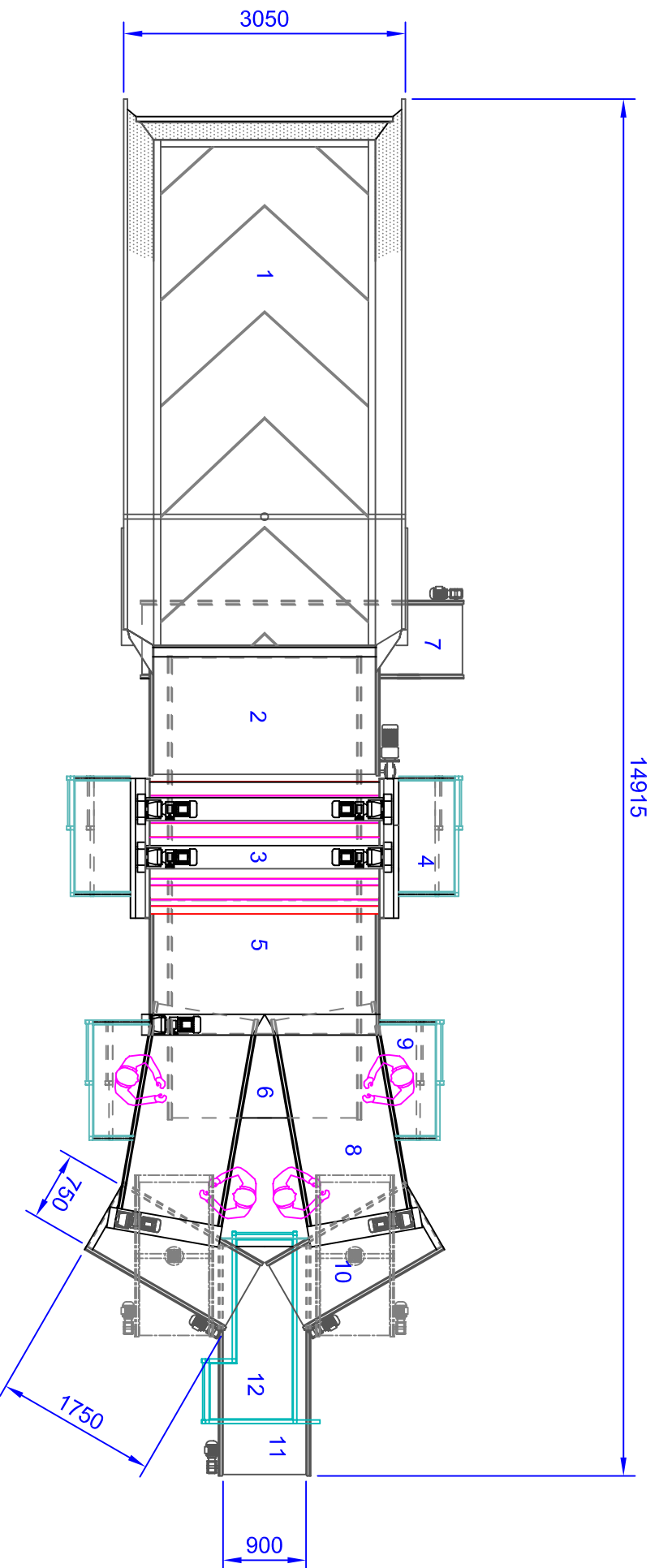
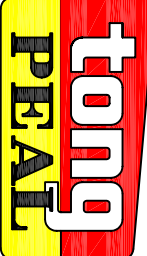


| ITEM No. | REF No. | DESCRIPTION  |
|----------|---------|--|
| 1        |         | CARETAKER HOPPER 6000 LONG x 2400 WIDE AT 22°          |
| 2        |         | PRESENTATION CONVEYOR 1400 LONG x 2400 WIDE            |
| 3        |         | SCOTTS EVOLUTION CLEANER 6 ROW x 2400 WIDE             |
| 4        |         | PAIR OF RETRACTABLE PLATFORMS FOR OPERATING EVOLUTION  |
| 5        |         | SPLITTER CONVEYOR 1400 LONG x 2400 WIDE                |
| 6        |         | UNDERBELT FOR SOIL 5000 LONG x 2000 WIDE               |
| 7        |         | REVERSIBLE SOIL CONVEYOR 3500 LONG x 750 WIDE          |
| 8        |         | TWIN FLAT BELT INSPECTION TABLES 2500 LONG x 1050 WIDE |
| 9        |         | RETRACTABLE INSPECTION STANDS                          |
| 10       |         | TWIN RETURN BELTS 1750 LONG x 750 WIDE                 |
| 11       |         | ACCUMULATION CONVEYOR 2500 LONG x 900 WIDE             |
| 12       |         | ACCESS GANTRY  |
| 13       |         |  |
| 14       |         |  |
| 15       |         |  |



THIS DRAWING IS THE PROPERTY OF TONG-PEAL ENGINEERING AND MUST NOT BE REPRODUCED IN WHOLE OR IN PART WITHOUT WRITTEN PERMISSION THIS INSTALLATION CAN ONLY BE GUARANTEED IF THE EQUIPMENT IS SUPPLIED BY TONG-PEAL ENGINEERING

\*THIS DRAWING IS FOR SALES INFORMATION PURPOSES ONLY AND SHOULD NOT BE USED FOR PRODUCTION\* Dimensions are subject to alterations during the production of this machine or system

|   |  |                                |              |
|---|--|--------------------------------|--------------|
|  |  | Title                          |              |
|   |  | PROPOSED CARETAKER 2400 SYSTEM |              |
| Customer  |  | MR THOMPSON                    |              |
| Dealer  |  | A.E. GOODACRE                  |              |
| TONG-PEAL ENGINEERING   |  | Rep                            | Jerry Gill   |
| ASHBY ROAD, SPILSBY, LINGS PE23 5DW   |  | Drawn                          | Andy Shelton |
| TEL: 01790 752771 FAX: 01790 753611   |  | Dwg No.                        | 9419         |
| Email andy@tongpeal.com or kevlin@tongpeal.com                                      |  | Scale                          | 1:50         |
|   |  | Date                           | 6:11:06      |
|   |  | Issue                          | 2            |